

## ACOUSTIC WALL MOUNT

Series: 3800/01



- Easy to install on any profile point.
- Suited to low-medium frequency range.
- Corrects unevenness in structure.
- SE-3801/TD1 profile can be bent to fit smaller spaces.
- Complies with Spanish building standard UNE 100-153-88.
- Optimal load: 8kg to 30kg per mount.
- Suited for C type or stud walls.

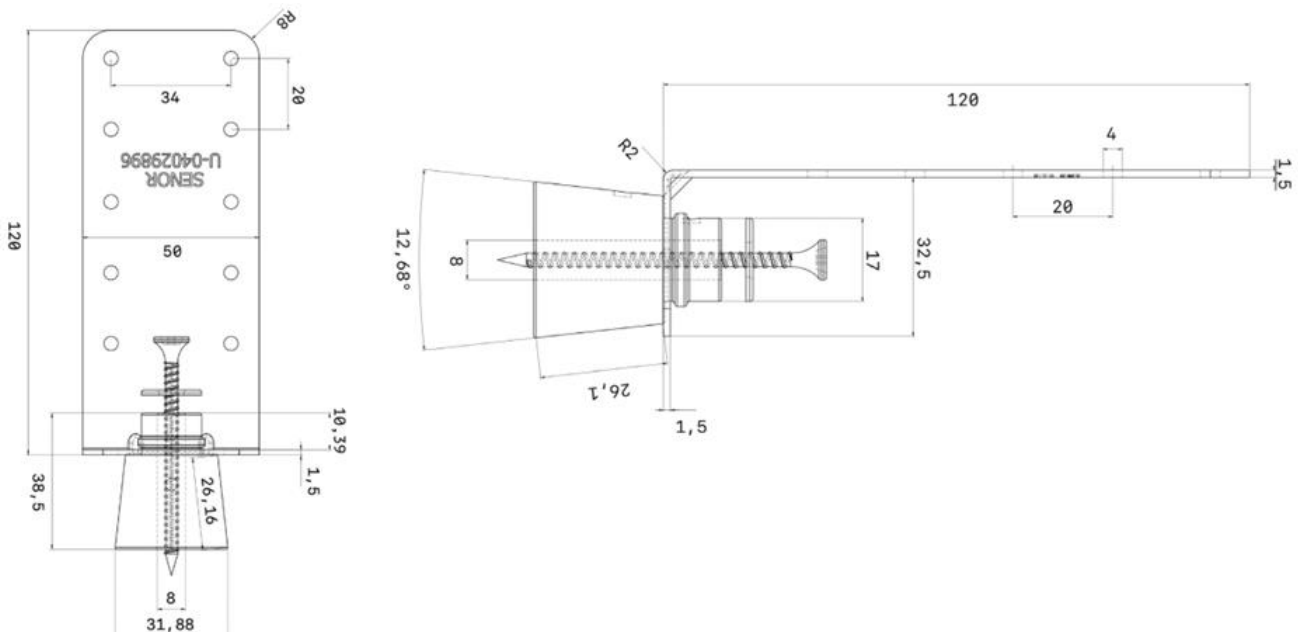
### MATERIAL

- Polymer Body: Kraiburg TPE
- Metal structure: Steel DX515D + Z272 NA C.

- [PERFORMANCE DATA](#)
- [TPE PROPERTIES](#)
- [APPLICATION GUIDE](#)

### SE-3800/TD1+TA

- Load range (C<sup>1</sup>): Force moving away from wall – 5-15kg
- Load range (C<sup>1</sup>): Force pressed against wall – 5-30kg
- [ENGINEERING DRAWING](#)



**SE-3801/TD1+TA**

- Load range (C<sup>1</sup>): Force moving away from wall – 5-15kg
- Load range (C<sup>1</sup>): Force pressed against wall – 5-30kg
- [ENGINEERING DRAWING](#)

